

Simple to balance

Your safety comes first

The Pasio 15 fulfils the requirements established in the latest Machinery Directive 2006/42/EC, valid since the beginning of 2010, in every respect, and is CE certified. The protective shroud fulfils the high standards set by the ISO 7475 Class C - Protection against ejected parts.

We have also ensured that many other components are safe by drastically eliminating pinch points, and providing ergonomic machine adjustments without the need for tools. The function of each component is safe and easy to understand.



Safety in detail

Our Pasio 15 is designed as an extremely compact crane hook machine. Simply transport it to the required point using the crane or a lift truck, deposit it and align it. The only other thing you need to balance your rotors is a power supply connection. That's how simple balancing is today – without complex foundations; without having to be bolted to the floor; without calibration. In this way the Pasio 15 can be integrated quickly and easily into your production run – even if your line is modified from time to time.

Easy to transport, fast commissioning

Technical data

Rotor dimensions

| | |
|--|-------------|
| Maximum rotor weight | 15 kg |
| Largest rotor diameter | 350 mm |
| Journal diameter | 6 – 30 mm |
| Distance between bearing centre points | 60 – 600 mm |
| Smallest achievable residual unbalance | 0.1 gmm |

Machine data

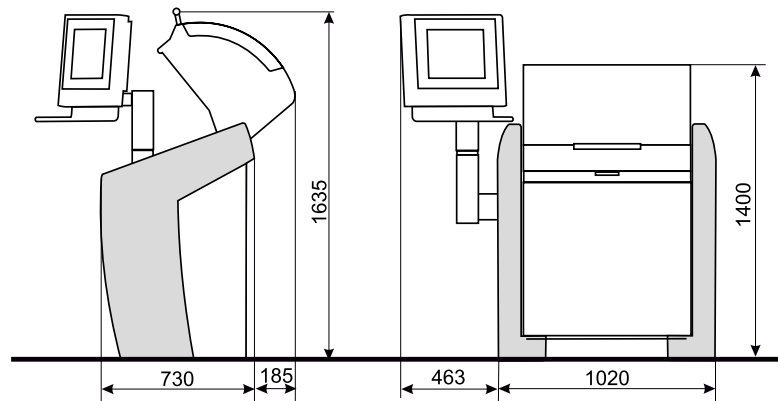
| | |
|----------------------|---|
| Dimensions | (see drawing) |
| Total weight | 650 kg |
| Mains connection | 230V \pm 10 %, 1Ph, 50 / 60 Hz |
| Rotor drive | through overslung belt drive |
| Drive performance | 200 W |
| Protective cover acc | ISO 7475 Class C (Protection against ejected parts) |
| 2-colour painting | RAL7035 (light grey), RAL 7024 (graphite grey) |

Measuring unit

CAB 920
CAB 820

Options

Printer for protocol print-outs
Roller bearing inserts for journal diameter 30 - 70 mm
Counter bearing with roller



 **SCHENCK**

Balancing and
Diagnostic Systems

SCHENCK RoTec GmbH
Landwehrstraße 55
64293 Darmstadt, Germany

www.schenck-rotec.com
E-Mail: rotec@schenck.net
Tel.: +49 (0) 6151 - 32 23 11
Fax: +49 (0) 6151 - 32 23 15

The  Group



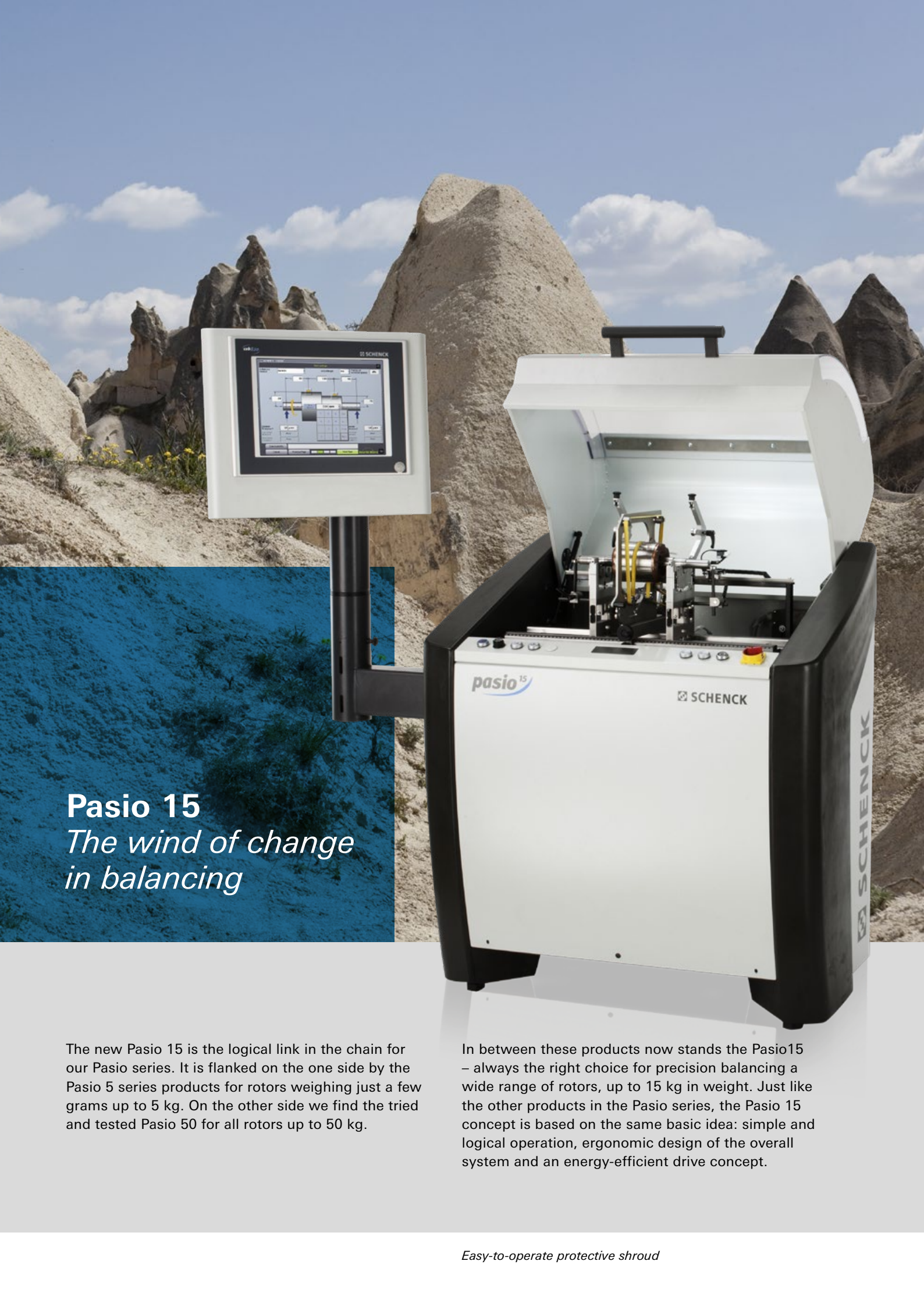
 **SCHENCK**

NEW

***pasio*¹⁵**

Pasio 15 – The new focus for balancing

The new horizontal balancing machine for rotors up to 15 kg



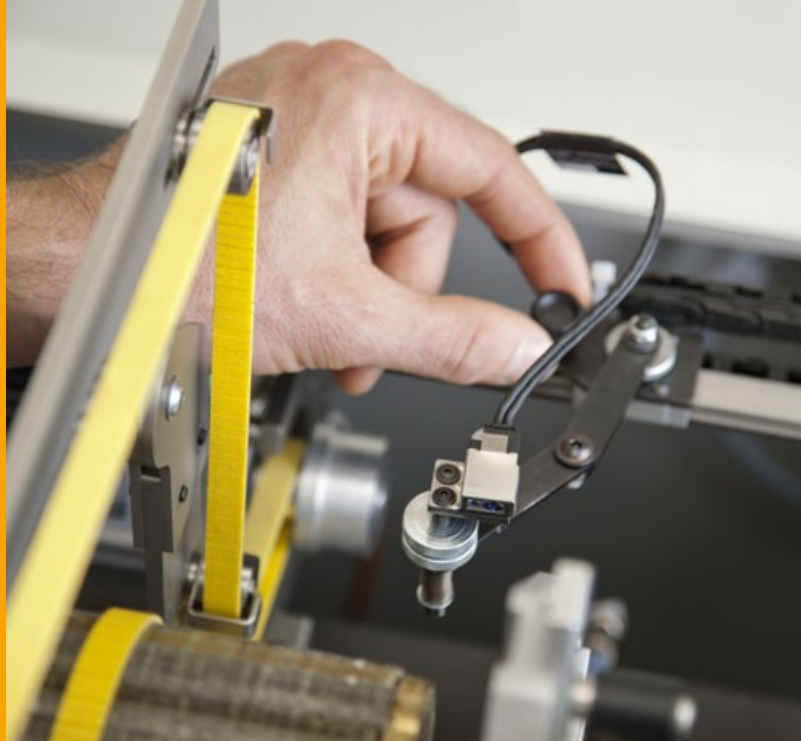
Pasio 15
*The wind of change
in balancing*

The new Pasio 15 is the logical link in the chain for our Pasio series. It is flanked on the one side by the Pasio 5 series products for rotors weighing just a few grams up to 5 kg. On the other side we find the tried and tested Pasio 50 for all rotors up to 50 kg.

In between these products now stands the Pasio15 – always the right choice for precision balancing a wide range of rotors, up to 15 kg in weight. Just like the other products in the Pasio series, the Pasio 15 concept is based on the same basic idea: simple and logical operation, ergonomic design of the overall system and an energy-efficient drive concept.

Easy-to-operate protective shroud

*Nothing left to
be desired*



Flexible and uncomplicated handling of the reference sensor

The Pasio 15 represents our latest addition to our tried and tested operating philosophy: from the effortless handling of our Class C protective shroud to the simplified method of driving your rotor with a convenient single-hand overslung belt mechanism, right up to the logical placement of all operating buttons and the touch screen operation of our meas-

uring units. All the parts in the test chamber are non-magnetic, meaning that you can also balance magnetic rotors such as permanent magnetic rotors correctly without any additional investment. Energy-efficient servo drives reduce the power consumption and permit a short measuring cycle.



Non-Magnetic design of all components in the test space

Sturdy foundations for increased precision



Mineral casting – robust and vibration-damping

The central machine frame on the Pasio 15 is made of mineral casting. This modern material dampens vibrations up to 10 times more effectively than grey cast iron and is therefore perfectly suited for use on a balancing machine. The machine is substantially less sensitive to interfering outside influences, and does not require its own foundations.

The ecological balance of mineral casting is also impressive. Far less energy is required for its production than for the production of steel or cast iron parts. In addition, the material can be disposed of in an environmentally-friendly manner either through recycling or at landfill sites.



Convenient touch-screen operation of all CAB measuring units